

G02FPK Female Lobe Knob

Features

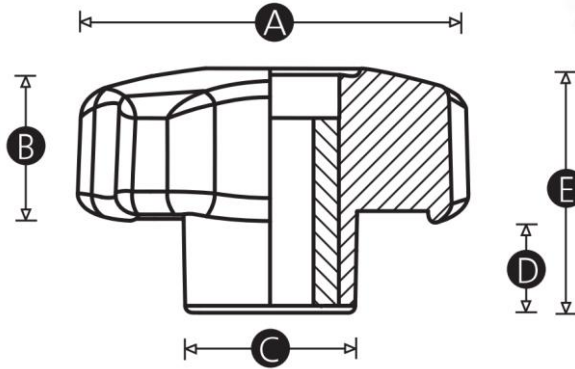
- Superstrong yet lightweight, can withstand arduous industrial use

Material

- Body: High impact resistant thermoplastic, matt black finish
- Insert: Brass, zinc plated steel or stainless steel

Notes

- Available with caps in other colours on request (MOQs apply)



Part No.	A	B	C	D	E	Thread Size	Material	Insert Material
G02FPK-10820U	28	16	14	9	25	M5	Nylon	Brass
G02FPK-10823T						Nylon	Brass	
G02FPK-14300T						Polypropylene	Zinc plated steel	
G02FPK-14320Q						Polypropylene	Stainless steel	
G02FPK-10831U	40	17	18	12	29	M6	Nylon	Brass
G02FPK-14301P						Polypropylene	Zinc plated steel	
G02FPK-10834T						M8	Nylon	Brass
G02FPK-14321X						Polypropylene	Stainless steel	
G02FPK-10842U	50	19	21	12	31	M6	Nylon	Brass
G02FPK-10845T						Nylon	Brass	
G02FPK-14302W						M8	Polypropylene	Zinc plated steel
G02FPK-14322T						Polypropylene	Stainless steel	
G02FPK-11120T						Nylon	Brass	
G02FPK-14303S						M10	Polypropylene	Zinc plated steel
G02FPK-14323P	Polypropylene	Stainless steel						
G02FPK-10853U	60	23	23	13	34	M8	Nylon	Brass
G02FPK-10856T						Nylon	Brass	
G02FPK-14304Z						M10	Polypropylene	Zinc plated steel
G02FPK-14324W						Polypropylene	Stainless steel	
G02FPK-11121P						Nylon	Brass	
G02FPK-14305V						M12	Polypropylene	Zinc plated steel
G02FPK-14325S	Polypropylene	Stainless steel						